



Process-optimised balancing in manual operated production systems

Manual loading and unloading

Process reliability through fully-automated internal working sequence

Easy operation: Fully-visualised operator guidance with CAB 870 measuring unit

Easy installation: Fast commissioning and support by local service personnel in a worldwide service network

Balancing Machine for Armatures

Type 420 RBTUC

Range of application

Measurement and unbalance correction of wounded armatures of different sizes and similar rotors. Use of the machine in series production for production volumes of up to approx. 1 million armatures p.a.. Correction of unbalance by milling in one or two planes into the lamination stack.

Correction methods

Slot milling for component correction. High flexibility resulting from the use of individual or multiple milling cutters oriented on the slot design. Correction methods for parallel and skewed oriented slots.

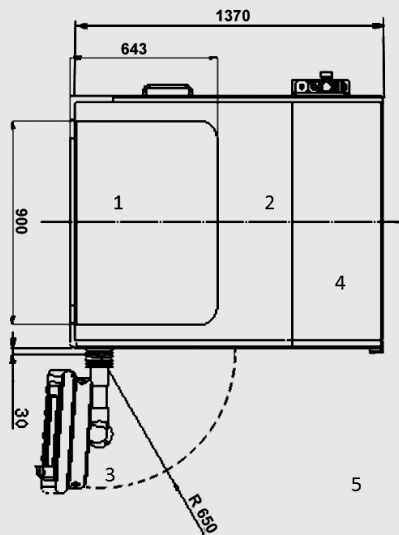
In addition to the removal of material by plunge milling, the amount of unbalance reduction can be increased by traverse milling.

Special features

- The workstations are loaded and unloaded by the operator via the common measurement and control station.
- Fully-automated working procedure of the machine
- Correction station with digitally controlled milling and positioning device.
- Flexible use, easy refitting and fast fault-finding
- High-performance CAB 870 measuring device: 15" TFT touch-screen, digital signal processing, software module for calculation of common, and complex correction methods, almost unlimited internal type data storage, operator guidance, virtually automatic set-up procedures, diagnostic programmes, statistics software, external interfaces such as modem and network
- The machine consists of a combination of mechanical system and control cabinet, which ensures high flexibility for the place of installation. The only things to be provided at the installation point are the electrical power and compressed air supply.

Design (Example)

- 1 Measuring station
- 2 Correction station
- 3 Measuring device
- 4 Control cabinet
- 5 Swarf extractor (optional)



Important data at a glance

Workpiece		wound armatures
Correctability		slot cutting
Cycle time	sec	16 ... 20
Output	pcs./h	240 (100 %)
Change over time	min	< 5
Balancing quality	gmm/kg (µm)	< 3



Balancing and Diagnostic Systems

SCHENCK RoTec GmbH
Landwehrstraße 55
D-64293 Darmstadt

Tel.: +49 (0) 61 51 - 32 23 11
Fax: +49 (0) 61 51 - 32 23 15
eMail: rotec@schenck.net

Do not hesitate to contact us via the mentioned major facilities. For further informations please refer to <http://www.schenck-rotec.com>